



Health Pro

# HEALTH PRO

MEDICAL TERMINAL UNIT Model 360



MEDICAL  
TERMINAL UNIT



Health Pro

# HEALTH PRO MEDICAL TERMINAL UNIT Model 360

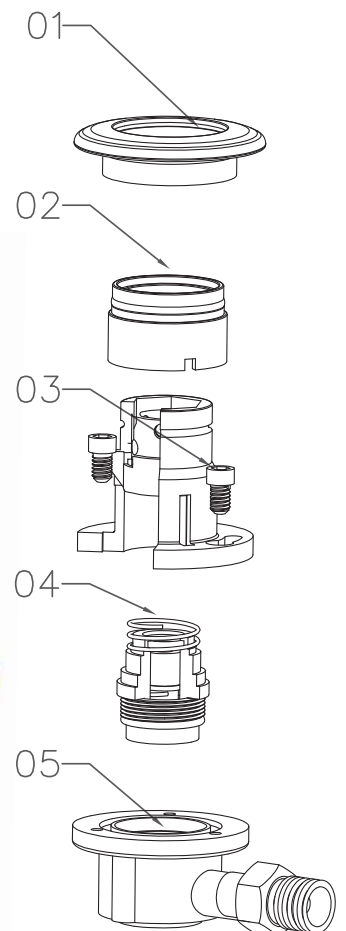
## Features

- ◆ Terminal Unit with full range of mounting option
- ◆ Gas type Germany / British
- ◆ British standard comply with B.S.5682, BS EN737-1, HTM2022, HTM02, C11
- ◆ Germany standard comply with DIN 13260-2
- ◆ All metal construction
- ◆ Individually tested, easy and quick to install
- ◆ Low maintenance with internal valve for service
- ◆ Accessories with installation kit for fix terminal unit & connect to pipe or hose
- ◆ Terminal unit with 360 rotary dustproof cover
- ◆ Once molded processing of terminal unit base gas inlet no welding no oxide.

## Part Drawing



- 01 cover plate
- 02 sleeve
- 03 terminal body
- 04 valve assembly
- 05 base block



HEALTH PRO PTY LTD

<http://www.healthpro-au.com> E: [sales@healthpro-au.com](mailto:sales@healthpro-au.com)